

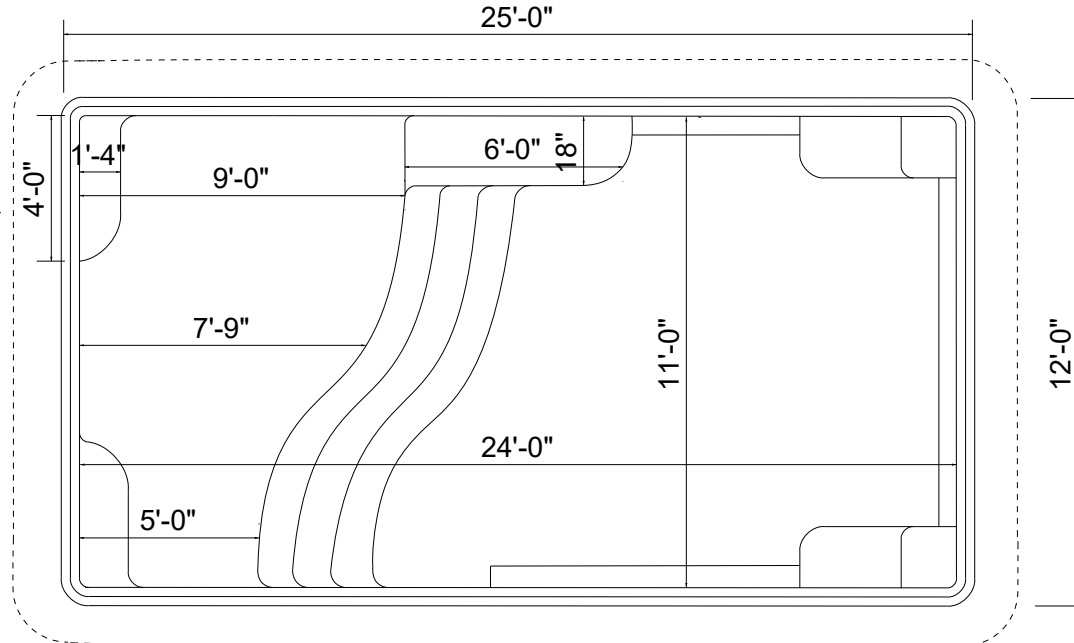
THURSDAY POOLS

Your weekend starts early with us

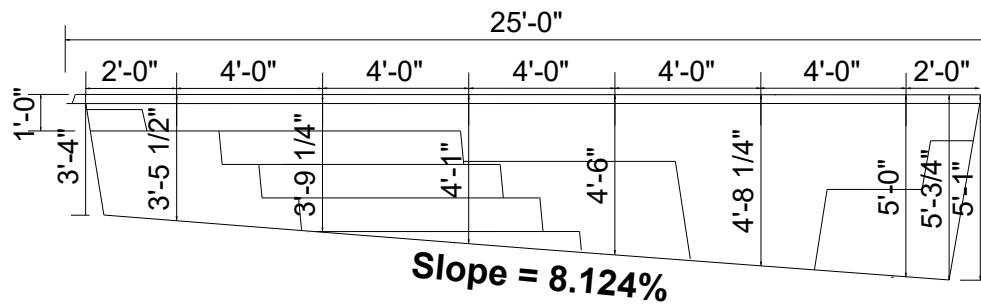
Aspen 1225

Depth: 3'-4" to 5'-1"

Typical Overdig
approx 1"
If using FPA
(Fiberglass Pool
Anchor System)
20" to 24"



Note: add 1" thickness for
tanning ledge floor
without BFE Back Fill
Eliminator



(Add approx 1/4" for fiberglass floor thickness and 1" for sun deck)

**PLEASE SEE GENERAL CONSTRUCTION AND
RECOMMENDED INSTALLATION NOTES**

NON DIVING POOL

THURSDAY POOLS, LLC
your weekend starts early with us . . .

840 Commerce Parkway
Fortville, Indiana 46040
Note: for technical help please call Thursday Pools LLC at
Toll Free (877) 929-POOL (7665)
Local (317) 973-0200

To be filled out by Pool Dealer
POOL NAME: Aspen 1225
OWNER:
ADDRESS:
POOL DEALER:

To be filled out by
Thursday Pools LLC
Date: 2/28/22
Job No.
File No.

Sheet No:
D8
Revision No. 01

CONTROL
Mesa Liquid Controls
WHK 2/25/17
Confirmed Act Dim.
WHK 12/5/17
Confirmed Dig Specs
WET 4/2/18

SPECIFICATIONS:
Volume: 7,425 gal (est)
Weight: 1,600 lbs (est)
Area: 300 sq. ft. (est)
Perimeter: 75' (est)
SCALE:

*All depths reflect the depth of the pool structure.
Water depths may vary depending on the amount of water in the pool.

This NOTICE AND DISCLAIMER is made to all retail customers, buyers, and end users of pools manufactured by Thursday Pools. You are by this NOTICE advised that pools manufactured by Thursday Pools (the "MANUFACTURER") are sold by independent dealers and dealerships. Each dealer is an independent businessperson who is completely separate from the MANUFACTURER. Each dealer is an independent contractor, and no dealer is an owner, agent (in fact or law), or employee of the MANUFACTURER. The MANUFACTURER hereby DISCLAIMS any liability for an intentional or negligent act by any dealer, dealership, or installer, or any damage to any Thursday Pools pool caused by an act of any dealer, dealership, or installer.

General Tolerance +/- 1/2"