

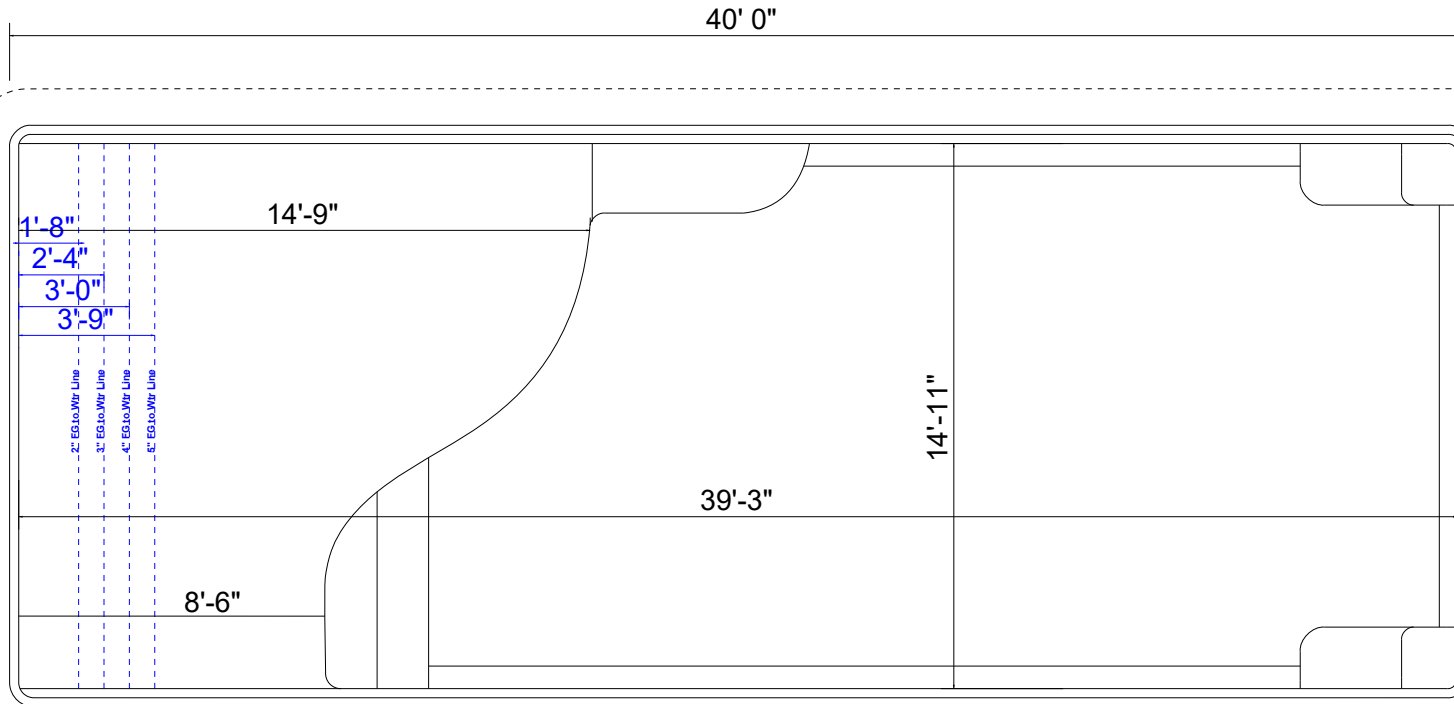
THURSDAY POOLS

Your weekend starts early with us

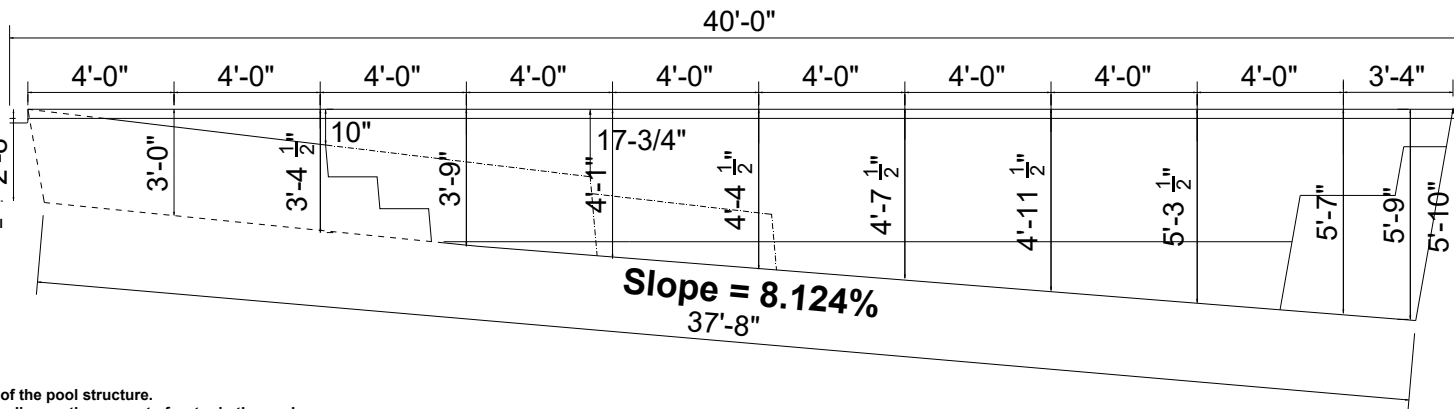
Grace 1640

Depth: 0'-0" to 5'-10"

Typical Overdig approx 1'
If using FPA (Fiberglass Pool Anchor System) 20" to 24"



PLEASE SEE GENERAL CONSTRUCTION AND RECOMMENDED INSTALLATION NOTES
NON DIVING POOL



Note: add 1" thickness for Beach Entry floor without BFE Back Fill Eliminator

(Acid approx 1/4" for fiberglass floor thickness and 1" for sun deck)

SPECIFICATIONS:

Volume:	13,500 gal (est)
Weight:	2,900 lbs (est)
Area:	580 sq. ft. (est)
Perimeter:	109.8' (est)
SCALE:	

Patent US 10,358,837	Confirmed Dig Specs	Confirmed Dig Specs
Patent US 10,472,839	DC: 3/22/19	Atlas: 4/16/19
CONTROL	WIK: 6/1/18	

THURSDAY POOLS LLC
your weekend starts early with us
840 Commerce Parkway
Fortville, Indiana 46040
Note: for technical help please call Thursday Pools LLC at Toll Free (877) 929-POOL (7665)
Local (317) 973-0200

To be filled out by Pool Dealer

POOL NAME: Grace 1640

OWNER:

ADDRESS:

POOL DEALER:

To be filled out by Customers

Date: 3/29/22

Job No.

File No.

Sheet No. D8

Revision No. 01

*All depths reflect the depth of the pool structure. Water depths may vary depending on the amount of water in the pool.

This NOTICE AND DISCLAIMER is made to all retail customers, buyers, and end users of pools manufactured by Thursday Pools. You are by this NOTICE advised that pools manufactured by Thursday Pools (the "MANUFACTURER") are sold by independent dealers and dealerships. Each dealer is an independent businessperson who is completely separate from the MANUFACTURER. Each dealer is an independent contractor, and no dealer is an owner, agent (in fact or law), or employee of the MANUFACTURER. The MANUFACTURER hereby DISCLAIMS any liability for an intentional or negligent act by any dealer, dealership, or installer, or any damage to any Thursday Pools pool caused by an act of any dealer, dealership, or installer.

General Tolerance +/- 1/2"